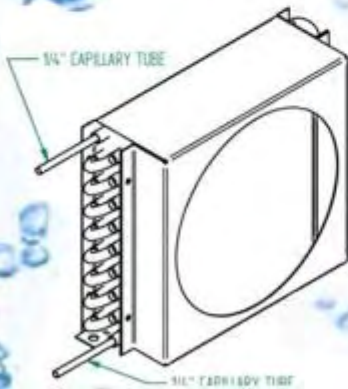
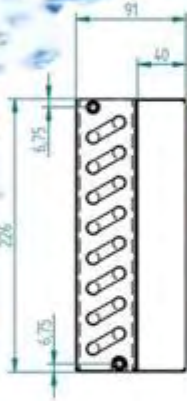


STARWELD ALFACOOLERS



**INTEGRATED
WATER COOLING
SYSTEMS**

FEATURES



**THE 3,2 BAR PUMPS HAVE
A 25 METER HEAD
CAPACITY**



**TWIN CORE ALUMINIUM
FINNED RADIATORS**



**CUPROFIN INTERNALLY
GROOVED COPPER
TUBING INCREASES
COOLING EFFICIENCY**



**INTELLIGENT MICRO PROCESSOR
DRIVEN TWO WAY COMMUNICATION
BETWEEN THE COOLER AND THE
POWER SOURCE**



**ELECTRONIC
FLOW WHEELS
ACCURATELY
MONITOR
WATER FLOW**

